

# Verjure™ Pro Series™ LED

## Professional Grade LED Horticulture Solution



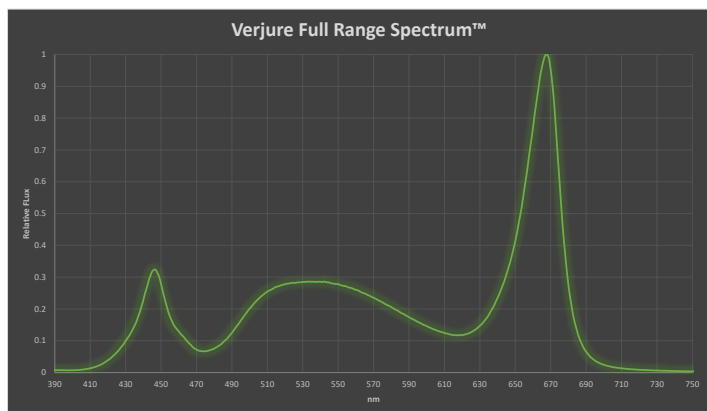
### Features

- 3 Size and output options for versatile growing
- Verjure Full Range Spectrum for both Veg and Flower, developed using plant research
- Independent lab verified performance up to 1880  $\mu\text{mol/s}$ , replacement of up to 1000w DE HPS
- Ultra-efficacious up to 2.8  $\mu\text{mol/j}$
- IP66 listed
- ANSI 6kv surge protection
- Optional clear protective lens for easy cleaning
- Simple app-based wireless controls with nLight AIR®
- Rotatable outer module for canopy uniformity
- Versatile mounting methods
- Easily remote-mount driver
- Easily replaceable modules



For more information see [Verjure Pro Product page](#)

|                   |                             |
|-------------------|-----------------------------|
| High Output       | 1880 $\mu\text{mol/s}$ 690W |
| Med Output        | 933 $\mu\text{mol/s}$ 344W  |
| Greenhouse/Narrow | 933 $\mu\text{mol/s}$ 354W  |



### Research-Based Verjure Full Range Spectrum™ – The full range of the photosynthesized spectrum, supporting Vegetative and Flower Growth

Certain airborne contaminants can diminish the integrity of acrylic and/or polycarbonate. [Click here for Acrylic-Polycarbonate Compatibility table](#) for suitable uses.  
 Certain airborne contaminants may adversely affect the functioning of LEDs and other electronic components, depending on various factors such as concentrations of the contaminants, ventilation, and temperature at the end-user location. [Click here for a list of substances](#) that may not be suitable for interaction with LEDs and other electronic components.

| PRODUCT SPECIFICATIONS                       |                              |
|--|------------------------------|
| Light Source                                 | LED                          |
| Equivalent                                   | Up to 1000W DE HPS           |
| Wattage (High Output)                        | 690W                         |
| Input Voltage                                | 120 - 480V                   |
| Spectrum                                     | Verjure Full Range Spectrum™ |
| Photosynthetic Photon Flux PPF (High Output) | 1880 $\mu\text{mol/s}$       |
| Efficacy                                     | Up to 2.8 $\mu\text{mol/j}$  |
| Dimming                                      | 0-10V                        |
| Distribution                                 | 120+ deg                     |
| Power Factor                                 | >90%                         |
| Q90  | 50,000 Hrs*                  |
| Maximum operating Temp                       | 40C                          |
| Thermal Mgt                                  | Passive                      |
| Listing                                      | IP66/ UL8800/ UL1598         |
| Lens   | Clear Lens Optional          |
| Mounting                                     | Surface/Suspended            |
| Limited Warranty                             | 5 Years                      |

\*Average rated life based on industry standard measurements

**Warranty:** 5-year limited warranty. This is the only warranty provided and no other statements in this specification sheet create any warranty of any kind. All other express and implied warranties are disclaimed. Complete warranty terms located at: [www.acuitybrands.com/support/warranty/terms-and-conditions](http://www.acuitybrands.com/support/warranty/terms-and-conditions)

**Note:** Actual performance may differ as a result of end-user environment and application. All values are design or typical values, measured under laboratory conditions at 25 °C. The product images shown are for illustration purposes only and may not be an exact representation of the product.

Lead times will vary depending on options selected. Consult with your sales representative.

**EXAMPLE:** VPS 6 FRSP MVOLT ACL CNPQDW AC120

| Series     | Model                       | Spectrum                                 | Input Voltage         | Lens                             |
|------------|-----------------------------|--|-----------------------|----------------------------------|
| <b>VPS</b> | <b>6</b> High output        | <b>FRSP</b> Verjure full range spectrum™ | <b>MVOLT</b> 120-277V | <b>L/Lens</b> Less lens          |
|            | <b>4</b> Med Output         |  | <b>XVOLT</b> 277-480V | <b>ACL</b> Protective clear lens |
|            | <b>3</b> Narrow/ Greenhouse |  | <b>120</b> 120V       |                                  |
|            |                             |  | <b>208</b> 208V       |                                  |
|            |                             |  | <b>240</b> 240V       |                                  |
|            |                             |  | <b>277</b> 277V ‡     |                                  |
|            |                             |  | <b>277X</b> 277V      |                                  |
|            |                             |  | <b>347X</b> 347V      |                                  |
|            |                             | <b>480X</b> 480V                         |                       |                                  |

| Cord sets   | Mounting   | Options  |
|---|--|--|
| <b>Damp location cord sets:</b>                                     |  |  |
| <b>CNPQD</b> 6' black 3-conductor cord, no plug                     | <b>Mounting:</b><br><b>AC120</b> 10' Aircraft cable with hook, factory installed ‡<br><b>AC120SS</b> 10' Stainless steel aircraft cable with hook, factory installed ‡<br><b>MH2HK</b> Aircraft cable with hook on each end for greenhouse pipe/strut mounting ‡ | <b>nLight Air Wireless Controls:</b><br><b>NLTAIR2 rIO</b> <a href="#">nLight AIR Rio for wireless control</a><br><br><b>Other Controls:</b><br><b>AO</b> Onboard dimming module |
| <b>CNPQD15FT</b> 15' black 3-conductor cord, no plug                |  |  |
| <b>CPQDSB</b> 6' black 3-conductor cord, straight blade plug ‡      |  |  |
| <b>CPQDSB15FT</b> 15' black 3-conductor cord, straight blade plug ‡ |  |  |
| <b>CPQDTL</b> 6' black 3-conductor cord, twist-lock plug ‡          |  |  |
| <b>CPQDTL15FT</b> 15' black 3-conductor cord, twist-lock plug ‡     |  |  |

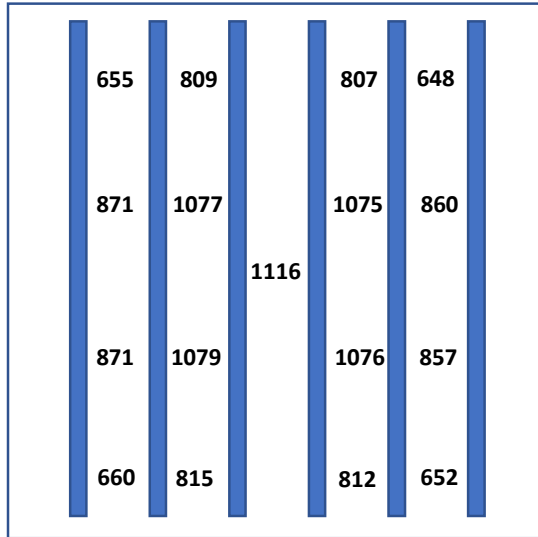
| Accessories            |   |
|------------------------|---|
| <b>VIBAC120</b>        | 10' Aircraft cable with hook (pair) ‡   |
| <b>VIBAC120SS</b>      | 10' Stainless steel aircraft cable with hook (pair) ‡   |
| <b>VMH2HK</b>          | Air craft cable with hook on each end (pair) ‡  |
| <b>DCEX</b>            | 6' DC extension cable for use when remoting driver (Fixture to power supply)                                  |
| <b>RPODBA DX WH</b>    | <a href="#">nLight® AIR battery powered wall switch, single pole, On/off Control, white</a>                   |
| <b>RPODBA 4S DX WH</b> | <a href="#">nLight® AIR battery powered wall switch, 4 scene control, On/off + raise/lower control, white</a> |

| ‡ Option Value Ordering Restrictions |   |
|--------------------------------------|---|
| Option value                         | Restriction   |
| 277X                                 | Recommended for 277 volt applications to provide over voltage protection. |
| AC120, AC120SS                       | VPS 3 ships with one pair, VPS 4 and VPS 6 ship with two pair             |
| CPQDSB, CPQDSB15FT                   | Not available MVOLT, XVOLT, 277, 277X, 347 or 480V                        |
| CPQDTL, CPQDTL15FT                   | Not available MVOLT, XVOLT, 120, 208, or 240V                             |
| MH2HK                                | VPS3 ships with one pair, for use with VPS 3 green house solution only.   |
| VIBAC120, VIBAC120SS                 | VPS 3 requires one pair, VPS 4 and VPS 6 require two pair                 |
| VMH2HK                               | For use with VPS 3 greenhouse solution only                               |

| NEMA CONFIGURATION |                |            |
|--------------------|----------------|------------|
| Voltage            | Straight Blade | Twist Lock |
| 120                | 5-15P          |            |
| 208                | 6-15P          |            |
| 240                | 6-15P          |            |
| 277                |                | L7-15P     |
| 347                |                | L24-20P    |
| 480                |                | L8-20P     |

### PPFD Plot

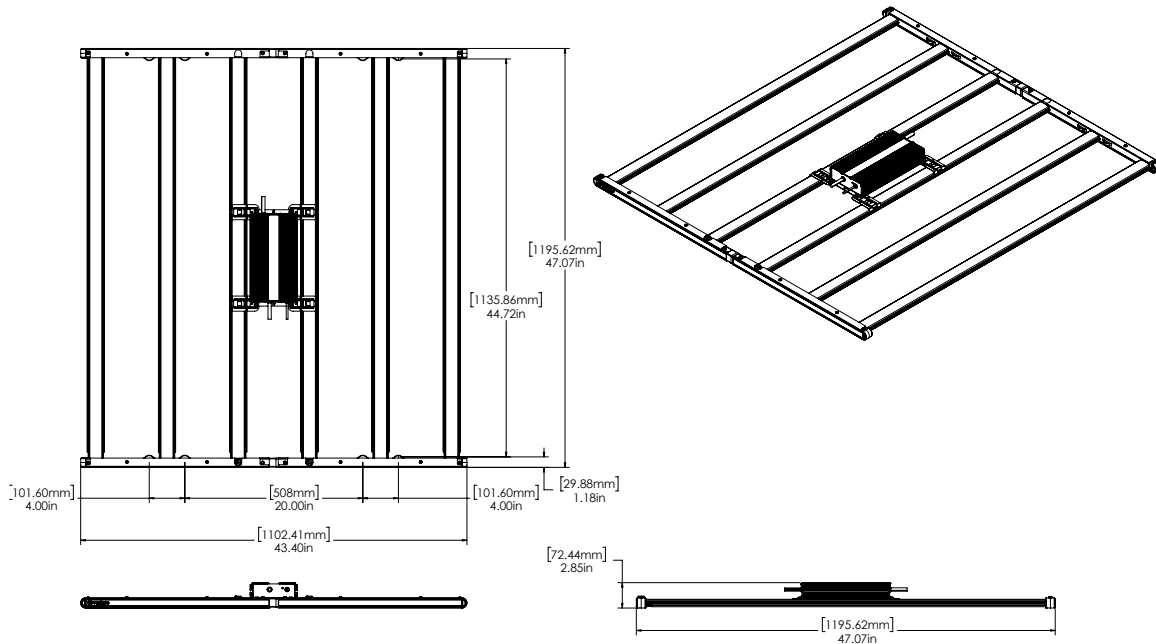
**Verjure Pro Series High Output  
1' from Canopy  
4' X 4' Plot**



### NEMA CONFIGURATION

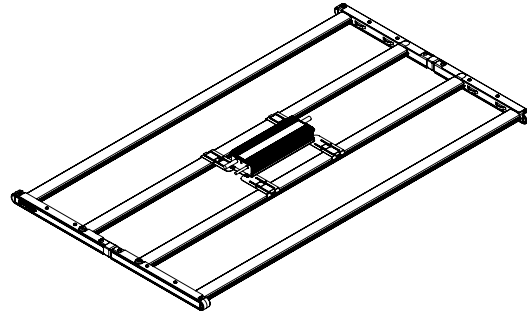
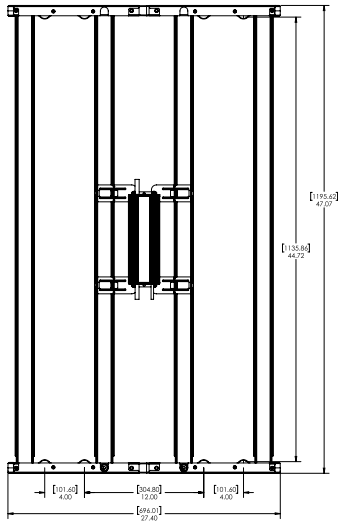
| Number of modules | Number of boards | Number of drivers |
|-------------------|------------------|-------------------|
| 3                 | 3                | 1                 |
| 4                 | 4                | 1                 |
| 6                 | 6                | 1                 |

### Dimensions

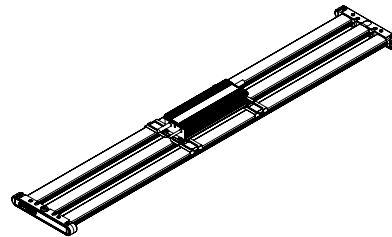
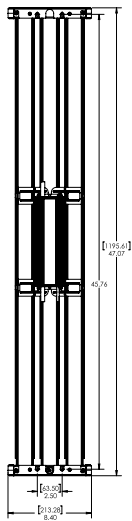


**VPS 6 - 26lbs**

Dimensions

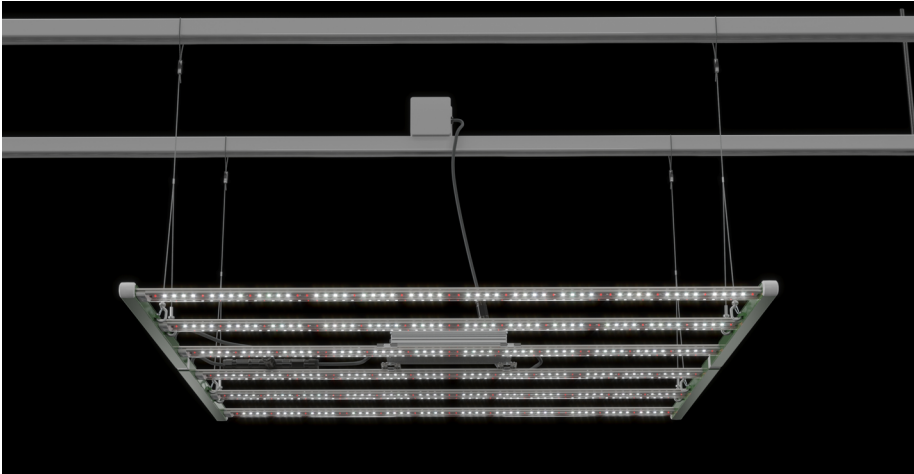


VPS 4 - 21 lbs.



VPS 3 - 17 lbs.

## Mounting



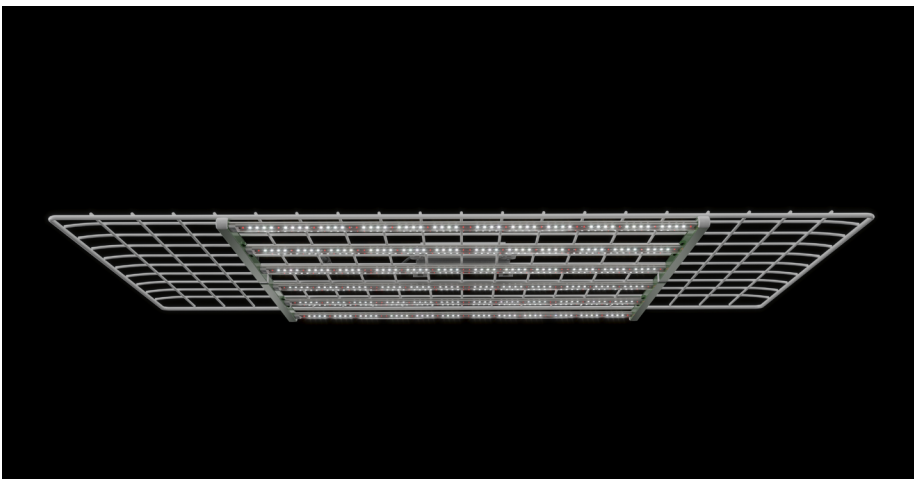
### Suspended mounted

Utilizes VIBAC120. VPS3 requires one pair. VPS4 and 6 requires two pair. Ships standard with fixture when AC120 or AC120SS are selected.



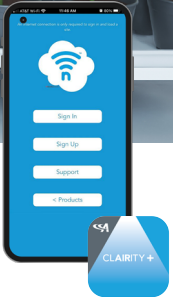
### Pipe/Strut

Utilizes VMH2HK, VPS 3 requires on pair. Ships standard with fixture when MH2HK is selected.



### Rack mounting





You can easily control the Verjure™ Pro Series with wireless nLight® AIR controls. nLight® is your network lighting controls system. You can easily control Verjure with nLight AIR (wireless) controls. With nLight you can easily turn your fixtures on and off and dimming and adjustment of output levels.

**Features:**

On/off/dimming of fixtures

- Grouping fixtures to respond in unison
- Breaking fixtures into separate zones of control
- Trimming output levels of fixtures

**CLAIRITY™+ Mobile App**

The CLAIRITY+ mobile app provides easy startup, configuration and modification of nLight® AIR wireless controls. See the [CLAIRITY+ webpage](#) for more details.

- Step 1** – Order each fixture with option “NLTAIR2”
- Step 2** – Order one or multiple rPODBA battery-powered wall switches on the Pro Series spec sheet
- Step 3** – Download the CLAIRITY™+ mobile app to easily pair fixtures with the switch and modify settings



**rPODBA DX**  
On/off/dim



**rPODBA 4S DX**  
• On/off/dim  
• 4 scenes  
• Press and Hold Programming



To learn more, visit [acuitybrands.com/verjure](https://acuitybrands.com/verjure)

**Expand the Power of nLight AIR Wireless Lighting Controls**

With the nLight ECLYPSE™, nLight AIR transforms an nLight standalone solution within a space into a networked solution. The nLight ECLYPSE offers advanced networked capabilities, such as scheduling, site-wide control, and configuration. [Learn more.](#)

**nLight® ECLYPSE™ System Controller**